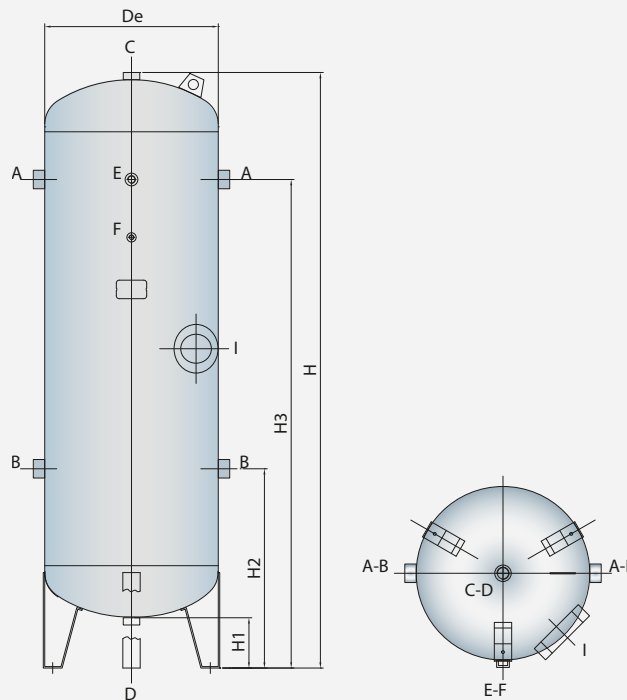




Disegno tecnico
Technical drawing



A-B Alimentazione aria
Air supply

E-F Servizio
Service

C Attacco valvola di sicurezza
Safety valve connection

D Scarico
Drain

I Apertura d'ispezione (solo su richiesta)
Inspection opening (only upon request)

***I** Apertura d'ispezione obbligatoria solo zincati
Inspection opening mandatory only for galvanized vessels

Materiale: Acciaio al carbonio
Trattamento: Verniciatura esterna RAL 5015 /
Zincatura a bagno caldo interno ed esterno /
Vitroflex interno
Fluidi: Gruppo 1 e Gruppo 2 (escluso idrogeno)
Optional su richiesta: Passa mano 100x150,
Passo uomo 300x400

Material: Carbon steel
Coating: External painting RAL 5015 /
Hot Dip Galvanized internal and external /
Vitroflex on internal surface
Fluid: Group 1 and Group 2 (hydrogen excluded)
Optional on request: Hand hole 100x150,
Man hole 300x400

| | DIMENSIONALE SIZES (mm) | | | | | CONNESSIONI CONNECTIONS | | | | Obbligatorio per versione zincata Mandatory for galvanized vessels | Peso Weight (Kg) |
|--|----------------------------|------|-----|-----|------|----------------------------|-------|------|------|---|------------------------|
| | De | H | H1 | H2 | H3 | A-B | C-D | E | F | *I | |
| 212 verticale vertical 8 bar -10° +120° C 2014/68/EU PED | | | | | | | | | | | |
| 4000 | 1450 | 3070 | 180 | 780 | 2430 | 3" | 1"1/4 | 3/4" | 3/8" | 300x400 | 680 |
| 5000 | 1450 | 3570 | 180 | 780 | 2930 | 3" | 1"1/4 | 3/4" | 3/8" | 300x400 | 810 |
| 6000 | 1450 | 4070 | 180 | 780 | 3430 | 3" | 1"1/4 | 3/4" | 3/8" | 300x400 | 915 |
| 8000 | 1650 | 4135 | 145 | 820 | 3415 | 4" | 1"1/4 | 3/4" | 3/8" | 300x400 | 1230 |
| 10000 | 1650 | 5135 | 145 | 820 | 4415 | 4" | 1"1/4 | 3/4" | 3/8" | 300x400 | 1510 |
| 212 verticale vertical 11,5 bar -10° +120° C 2014/68/EU PED | | | | | | | | | | | |
| 1000 | 790 | 2345 | 200 | 725 | 1725 | 2" | 1"1/4 | 3/4" | 3/8" | - | 204 |
| 1500 | 1000 | 2305 | 180 | 590 | 1860 | 2" | 1"1/4 | 3/4" | 3/8" | - | 278 |
| 2000 | 1000 | 2805 | 180 | 595 | 2355 | 2" | 1"1/4 | 3/4" | 3/8" | - | 352 |
| 3000 | 1200 | 2965 | 185 | 700 | 2410 | 3" | 1"1/4 | 3/4" | 3/8" | - | 537 |
| 4000 | 1450 | 3070 | 180 | 780 | 2430 | 3" | 1"1/4 | 3/4" | 3/8" | 300x400 | 802 |
| 5000 | 1450 | 3570 | 180 | 780 | 2930 | 3" | 1"1/4 | 3/4" | 3/8" | 300x400 | 932 |
| 6000 | 1450 | 4070 | 180 | 780 | 3430 | 3" | 1"1/4 | 3/4" | 3/8" | 300x400 | 1057 |
| 8000 | 1650 | 4135 | 145 | 820 | 3415 | 4" | 1"1/4 | 3/4" | 3/8" | 300x400 | 1352 |
| 10000 | 1650 | 5135 | 145 | 820 | 4415 | 4" | 1"1/4 | 3/4" | 3/8" | 300x400 | 1694 |